

NSTP-431-RW4F

Dahua 4MP All-in-One Enforcement Camera



Series Overview

With its high-performance AI processor, the Spotter Nano camera delivers high quality images even in the toughest weather conditions. It utilizes Dual Light technology and its built-in LED illuminators to supplement light, enabling you to freely switch between its warm light and IR light options. The tilted window design and glass heating capability together enable rapid image capture and fast data transmission for crisp and clear visuals. Additionally, the camera also leverages DCG technology to deliver high-quality images even in challenging lighting conditions. The camera has an IP68 and IK10 rating, making it ideal for outdoor use.

Functions

Impressive Performance

The high-performance CPU processor extracts and analyzes information on motor and non-motor vehicles in real time, providing valuable information on their features. This information is useful for effective decision making.

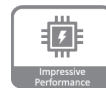
Intelligent Defogging

Suitable for use in all weather conditions, the camera can automatically control the ITO glass to defog based on the temperature and humidity inside the cover, effectively preventing the glass from icing and fogging.

Cyber Security

Dahua network camera is equipped with a series of key security technologies, such as security authentication and authorization, access control, trusted protection, encrypted transmission, and encrypted storage, which improve its security defense and data protection, and prevent malicious programs from invading the device. NetShield serie devices have passed hard penetration tests and have high level of cyber security.

- 1/1.8" 4 MP starlight CMOS sensor.
- Maximum resolution: 2688 × 1520@30 fps.
- Video compression standards: H.265, H.264M, H.264H and MJPEG.
- With its advanced image technology, it can work in ultra-low lighting conditions and complete darkness.
- Protection: IP68, IK10 rated.
- The embedded dual-LED lights offer warm light and 850 nm IR light options that can be conveniently switched between.
- Built-in vari-focal lens that allows the device to seamlessly adapt to multiple scenes.
- IP Address locking system, after several (customizable) number of wrong access
- AES256 encryption for video recorded on SD card and exported video
- encrypted video live stream by TLS secure channel



Protection

IP68: The camera passes a series of strict test on dust and soak. With the water-proof enclosure, the camera can work normally after soaking in 1 m deep water for 2 hours.

Dual Light

Through Dahua Dual Light technology, the camera offers flexible illumination modes, featuring both warm light and 850 nm infrared light options.

WDR

Featuring advanced Wide Dynamic Range (WDR) technology, the camera captures crisp and clear videos and snapshots, even in environments with extreme lighting contrasts.

Scene

Dahua's new generation of urban road surveillance cameras can be widely used in urban roads, rural streets, parks, and residential scenarios, which significantly improves the efficiency of urban safety management and makes roads safer, smoother, and smarter.

Image

Composite Image	Supports combining up to 3 source images, and 1 closeup image into a composite image
Image Resolution	2688 (H) × 1520 (V) (OSD black background is not calculated in the pixels)
Image Encoding Format	JPEG
Image Tampering Prevention	Verifies watermarks in videos and images

Technical Specification

Camera

Image Sensor	1/1.8" CMOS
Pixel	4 MP
Shutter Mode	Single shutter
Electronic Shutter Speed	Auto/Manual 1/50 s–1/100,000 s
Noise Reduction	3D NR
S/N Ratio	> 56 dB
WDR	140 dB
Min. Illumination	0.0001 lux

Illuminator

Illuminator Number	3 illuminators (850 nm LED illuminator or 3500 K LED illuminator)
Illuminator Brightness Adjustment	brightness adjustable
Illumination Distance	23 m–30 m (75.46 ft–98.43 ft) (adjustable brightness)
Lane Coverage	1–2 lanes

Lens

Lens Type	Motorized vari-focal				
Focal Length	8 mm–32 mm				
Max. Aperture	Max. F1.6				
Field of View	H: 42.5°–15.2°; V: 23.4°–8.6°; D: 49.4°–17.3°				
Exposure Mode	Auto; Manual (Select from shutter values or customize shutter range)				
DORI Distance	Lens	Detect	Observe	Recognize	Identify
	W	150.3 m (492.99 ft)	60.1 m (197.13 ft)	30.1 m (98.73 ft)	15 m (49.2 ft)
	T	400 m (1312 ft)	160 m (524.8 ft)	80 m (262.4 ft)	40 m (131.1 ft)

Function

Free Run Mode	Yes
OSD Overlay	Time, address, device SN, lane No., plate number, plate color, vehicle logo, vehicle type, vehicle color, vehicle size, vehicle speed, country/region, event (violation name), and motorcycle attributes (type, number of people, and helmet)
Alarm Event	Storage full; storage error; external alarm; no storage card; license plate blocklist; illegal access; network disconnection; IP conflict; intrusion; unlicensed vehicle
Automatic Network Replenishment (ANR)	Platform and FTP (TF card is required)
Auto Registration	Yes
Restricted List/Trusted	List:Allowlist:10000/Blocklist:10000

Intelligence

Target Detection	Motor vehicle; motorcycle
ANPR	Adopts deep-learning algorithms to recognize license plate numbers and letters

Front and Rear Plate Recognition	(Standard for bidirectional traffic monitoring)
Vehicle Classification	Recognition of cars, motorcycles, and HDVs (Heavy Duty Vehicles/Trucks)
Special Plate Recognition	Supports recognition of special formats (e.g., Law Enforcement, Military, and Diplomatic Corps)
Character Color Recognition	Supports both white and red character detection
Kemler Code Recognition	Dangerous Goods
Vehicle Type Recognition	Vehicle head: SUV, Large bus, sedan, light truck, pickup, heavy truck, medium truck, van, medium bus, MPV Vehicle tail: SUV, large bus, sedan, light truck, pickup, heavy truck, medium truck, van
Vehicle Color Recognition	White, pink, black, red, yellow, gray, blue, green, dark orange, purple, brown, and silver gray
Vehicle Brand/Logo Recognition	Acura; Alfaromeo; Ashokleyland; Astonmartin; Audi; Baic; Bentley; Benz; BMW; Buick; BYD; Cadillac; Chery; Chevrolet; Chrysler; Citroen; Dacia; Daihatsu; Datsun; Dodge; DS; Ferrari; Fiat; Force; Ford; Foton; Geely; GMC; Greatwall; Hino; Honda; Hyundai; Infiniti; Isuzu; Iveco; Jac; Jaguar; Jeep; Kia; Kinglong; Land; Lexus; Lifan; Lincoln; Mahindra; MAN; Maserati; Mazda; Mercury; MG; Mini; Mitsubishi; Nissan; Opel; Peugeot; Porsche; Renault; Rollsroyce; Saab; Scania; Seat; Skoda; Smart; Subaru; Suzuki; Tata; Tesla; Toyota; UD; Volkswagen; Volvo
Motor Vehicle Violation Capture	Speeding; driving slow; wrong-way driving; illegal lane change
Motorcycle Violation Capture	Captures traffic violations including carrying passenger, not wearing helmet, and wrong-way driving
Traffic Flow Detection	Traffic flow mode: Covers up to 4 lanes. Statistics on vehicle flow, average speed, vehicle type, lane occupancy, average time headway, average queue length, and road status. Supports data classification and generating statistics on lanes, vehicle type, speed, and the date. The results can be exported to the CSV file format.
Traffic Event	Motor vehicle illegal stopping on the roadway; traffic congestion
Video	
Video Compression	H.265; H.264M; H.264H; MJPEG
Video Resolution	4M (2688 × 1520); 1080p (1920 × 1080); UXGA (1600 × 1200); 720p (1280 × 720); D1 (704 × 576); CIF (352 × 288)
Video Frame Rate	50 Hz: Max. 25fps; default main stream(2688 × 1520@25 fps) , sub stream(1280 × 720@25 fps) 60 Hz: Max. 30fps; default main stream(2688 × 1520@30 fps) , sub stream(1280 × 720@30 fps)
Video Bit Rate	H.264: 32 kbps–32768 kbps H.265: 32 kbps–32768 kbps MJPEG: 512 kbps–32768 kbps
Bit Rate Control	VBR; CBR
White Balance	Auto; Manual; Natural; Street Lamp; Outdoor; Partial white balance
Edge Enhancement	Yes
HLC	Yes
BLC	Yes
Bad Pixel Correction	Yes
Gain Range	0-100

Network	
Network Port	1 × RJ-45 Ethernet port
SDK and API	Yes
Security	Authorized username and password, MAC address binding, HTTPS by default, and network access control, Digest
Network Protocol	IPv4; IPv6; DHCP; NTP; IP; HTTP; UDP; TCP
Interoperability	ONVIF (Profile S & Profile G & Profile T & Profile M)
Browser	Microsoft Edge Chrome: Chrome 41 and earlier Firefox: Firefox 49 and earlier For Win 10 users, run the browser as administrator
Timing	NTP
Port	
Storage	1, supports maximum 1 TB TF card local storage
RS-485	1
RS-232	1
Alarm Input	1 channel
Alarm Output	2 channels
General	
Power Supply	PoE; 12 VDC
Power Consumption	With light turned off < 5.5 W With IR light turned on < 9.5 W With warm light turned on < 14.5 W
Operating Temperature	-30 °C to +65 °C (-22 °F to +149 °F)
Storage Temperature	-30 °C to +65 °C (-22 °F to +149 °F)
Operating Humidity	10%–90% (RH), non-condensing
Storage Humidity	0%–90% (RH), non-condensing
Protection	IK10; IP68
Anti-corrosion Level	Basic Protection
Certifications	CE EMC: EN 61000-3-3; EN IEC 61000-3-2; EN 301 489-1; EN 301 489-51; EN 301 489-52; EN 301 511; EN 301 908-1; EN 301 908-2; EN 301 908-13; EN 305 550-2; EN IEC 62311 CE LVD: EN 62368-1 CE RED: EN 61000-3-3; EN IEC 61000-3-2; EN 301 489-1; EN 301 489-51; EN 301 489-52; EN 301 511; EN 301 908-1; EN 301 908-2; EN 301 908-13; EN 305 550-2; EN IEC 62311 IK10: IEC 60068-2-75:2014 IP68: IEC 60529:2013
Product Dimensions	350 mm × 109 mm × 150 mm (13.78" × 4.29" × 5.91") (L × W × H)
Packaging Dimensions	400 mm × 197 mm × 171 mm (15.75" × 7.76" × 6.73") (L × W × H)
Net Weight	1.724 kg (3.80 lb)
Gross Weight	2.364 kg (5.21 lb)
Installation	Installs with universal mounting brackets, or as a side-mount with mounting brackets

Ordering Information		
Type	Model	Description
Spotter Nano	NSTP-431-RW4F	Dahua 4MP All-in-One Enforcement Camera
Accessories (Optional)	DH-PFA5510	Quick-install Pole Mount Bracket

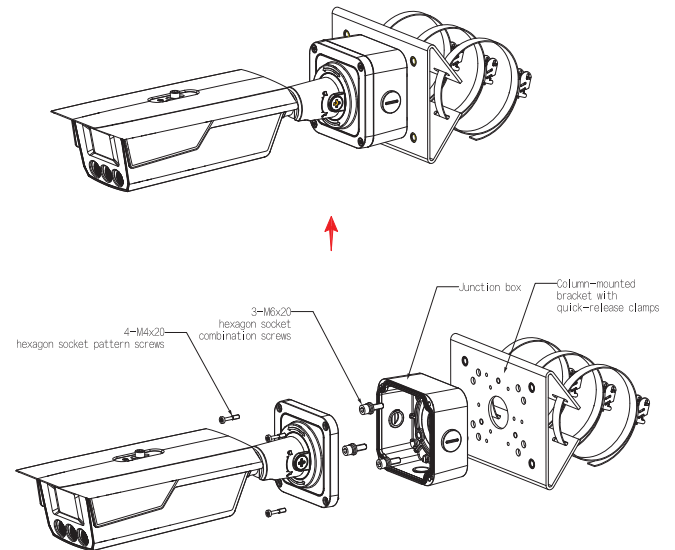
Accessories

Optional:



DH-PFA5510
Quick-install Pole Mount Bracket

Installation



Dimensions (mm [inch])

